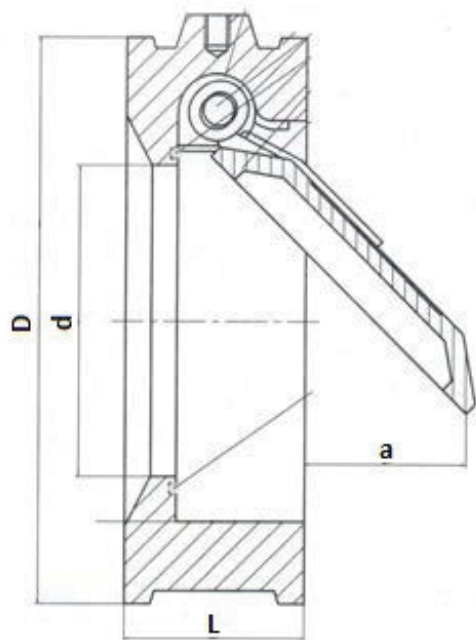


# SINGLE DISC WAFER CHECK VALVE

## CHECK VALVES



GVF CODE	DN SIZE (mm)	L (mm)	D (mm)	d (mm)	t (mm)	WEIGHT (kg)
SDCV050	50	44.5	96	31	29	1.4
SDCV065	65	47.6	109	40	30	1.9
SDCV080	80	51	128	50	56	2.7
SDCV100	100	57	160	73	75	4.5
SDCV125	125	63.5	192	89	95	6.5
SDCV150	150	69	213	114	114	8.5
SDCV200	200	73	270	155	156	11.5
SDCV250	250	79.4	333	188	187	20
SDCV300	300	85.7	379	235	222	27

MATERIALS	
Body	Cast Iron FBE
Disc	CF8M
Spring	SS316
Hinge Pin	SS316
Hinge Arm	SS316
Seat	EPDM
Face Gasket	EPDM

SPECIFICATIONS
Max Working Temperature
120°C
Cold Working Pressure
1600 kPa

STANDARD
Face to Face
DIN3202-K3
Pressure Test
API 598

VALVES

GALVANISED  
MALLEABLESTAINLESS  
STEEL FITTINGSBLACK & GAL  
STEEL FITTINGSHIGH PRESSURE  
FITTINGS

CAMLOCKS

ROLL GROOVE

BUTTWELD

FLANGES